

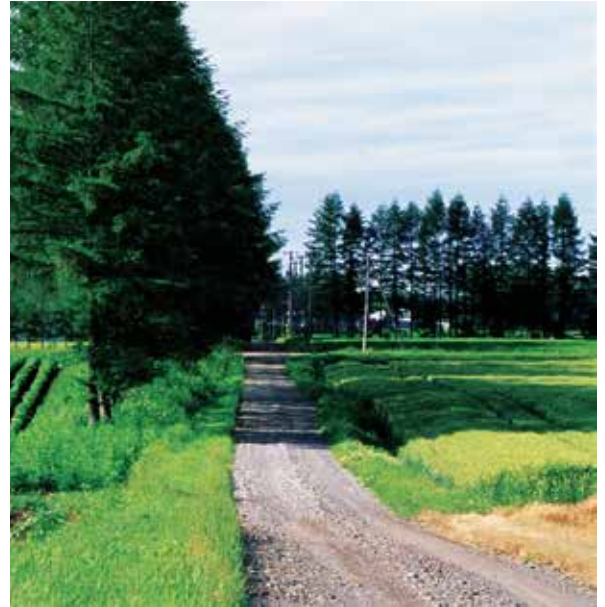
# DOOCH PUMP



Single phase Submersible  
Drainage and Sewage Pumps

50Hz

NDS SERIES



- Sewage system
- Drainage system
- Fountain
- Agricultural water supply

# CONTENTS

## Single phase Submersible Drainage and Sewage Pumps Submersible Pump

---

|                     |   |
|---------------------|---|
| Definition of Model | 3 |
| NDS B Series        | 4 |
| Performance Curve   | 5 |
| Dimension           | 5 |
| NDS V series        | 6 |
| Performance Curve   | 7 |
| Dimension           | 7 |





### Definition of Model

## NDS 508 B - M A T

#### Disadhesion

| T Indicates         | Without T Indicates   |
|---------------------|-----------------------|
| Applied disadhesion | Unapplied disadhesion |



#### Level Float Switch

| A Indicates  | Without A Indicates   |
|--|---|
|  |  |
| Applied level float switch   | Unapplied level float switch  |

#### Input Power

| M Indicates           | Without A Indicates   |
|-----------------------|-----------------------|
| Input power 1Ø x 220V | Input power 3Ø x 380V |

#### Application

| B Indicates  | V Indicates   |
|--|---|
|  |  |
| Drainage pump (Volute)   | Sewage pump (Vortex)  |

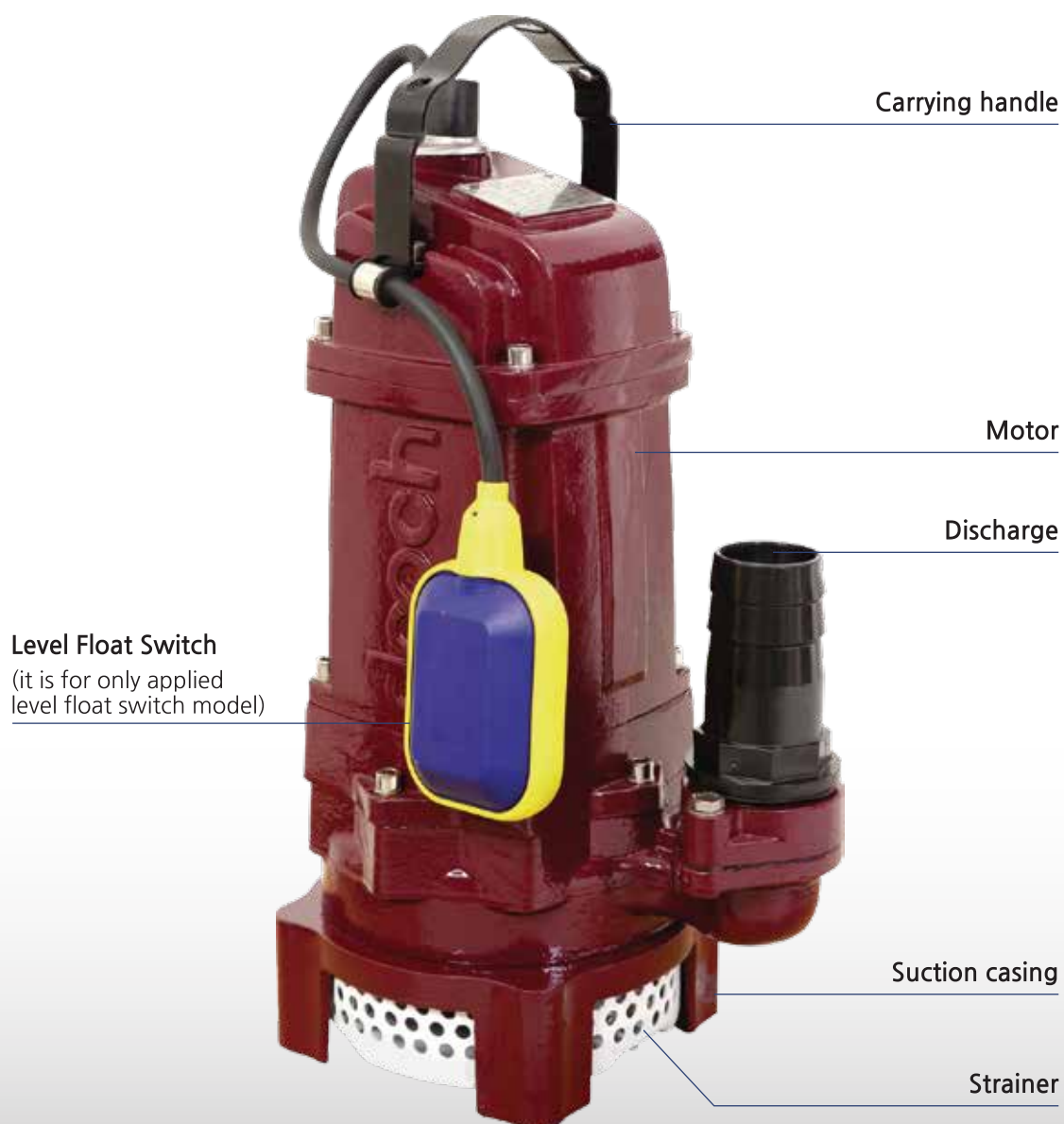
#### Pump Type

: NDS 504B-M(A), NDS 508B-(M)(A), NDS 515B-(M)(A)  
 : NDS 504V-M(A), NDS 508V-(M)(A), NDS 515V-(M)(A)

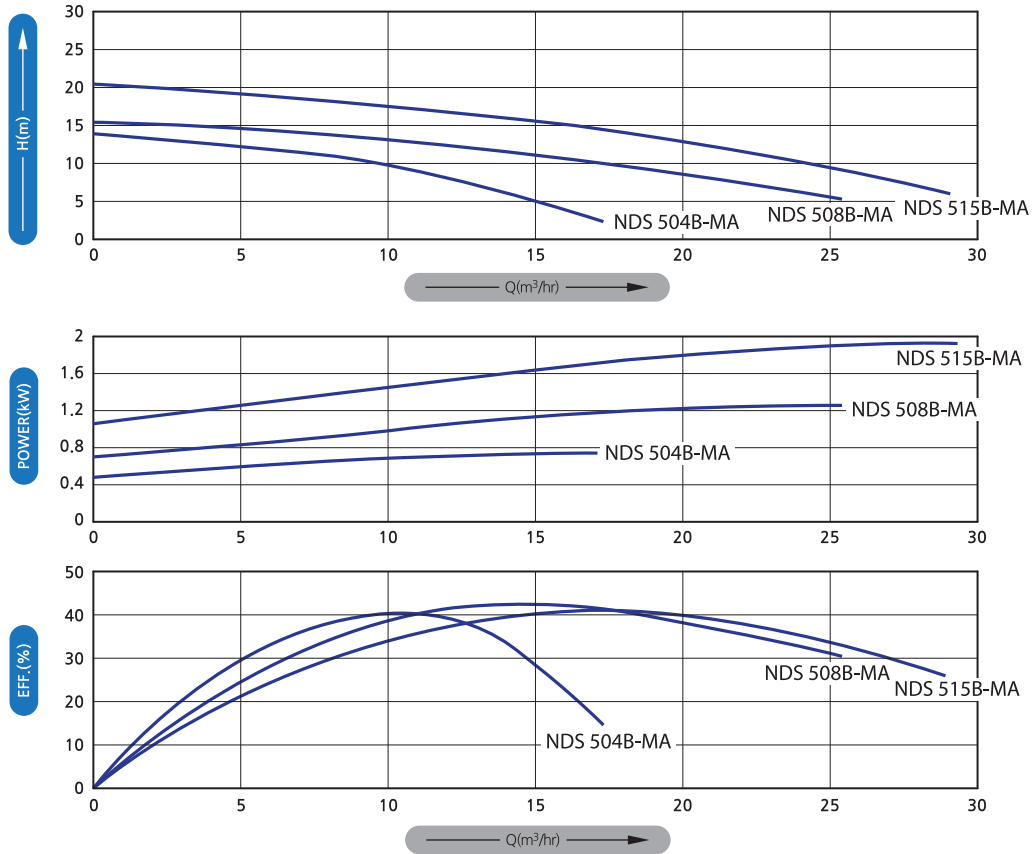


## General drainage pumps NDS B Series

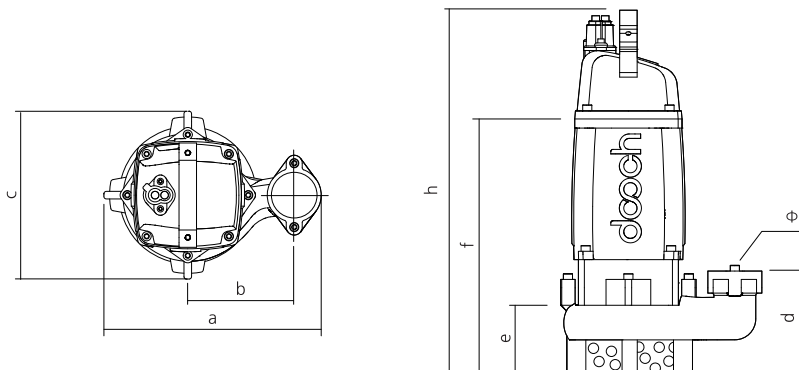
- General drainage (Including particles for the below size of suction in a strainer)
- Drainage for waterfall, small fountain for decoration
- Agriculture, Horticulture
- Drainage for building equipment / Sanitation including basement



### Performance Curve



### Dimension



| Model       | Power (W) | Max. Head (m) | Flow rate ( $m^3/hr$ ) | Max. Flow rate ( $m^3/hr$ ) | Dimension (mm) |     |     |     |    |     |     |             |
|-------------|-----------|---------------|------------------------|-----------------------------|----------------|-----|-----|-----|----|-----|-----|-------------|
|             |           |               |                        |                             | a              | b   | c   | d   | e  | f   | h   | g( $\Phi$ ) |
| NDS 504B-MA | 400       | 13.8          | 9(Hd=10m)              | 17                          | 265            | 145 | 184 | 130 | 65 | 320 | 475 | 50          |
| NDS 508B-MA | 900       | 15.3          | 15(Hd=10m)             | 25.3                        | 270            | 140 | 195 | 135 | 70 | 360 | 520 | 50          |
| NDS 515B-MA | 1500      | 20.3          | 15(Hd=17m)             | 29                          | 320            | 155 | 207 | 150 | 70 | 420 | 580 | 80          |

Notice | For unapplied level float switch, 'A' is omitted from the model name.  
 For the 3 Phase 380V power input, 'M' is omitted from the model name.  
 NDS 504B is only for 1 Phase model.



## Drainage pumps NDS V Series

- Circulation for waste water treatment plant
- Septic tank (liquid transportation including solid material)
- Treatment for Factory and industrial waste water
- Drainage for waste water & Excreta treatment plant
- Drainage for building equipment / Sanitation including basement



Carrying handle

Motor

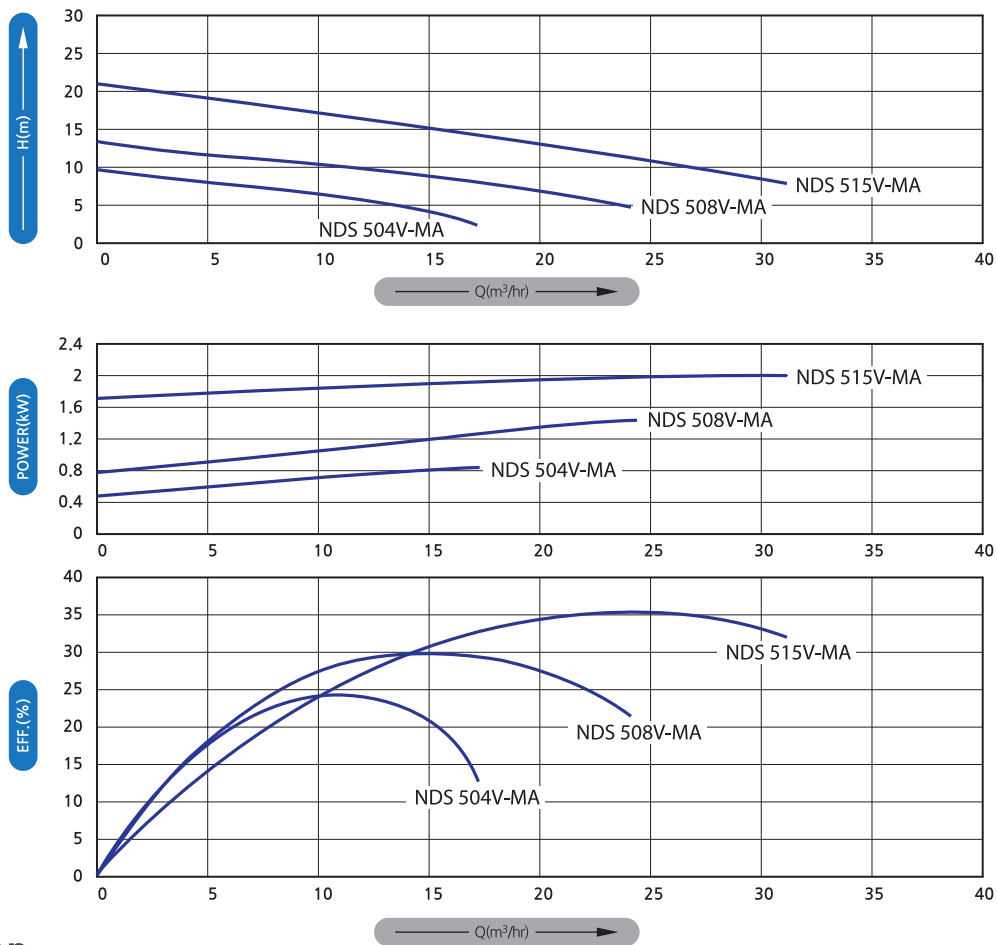
Discharge

Level Float Switch  
(it is for only applied  
level float switch model)

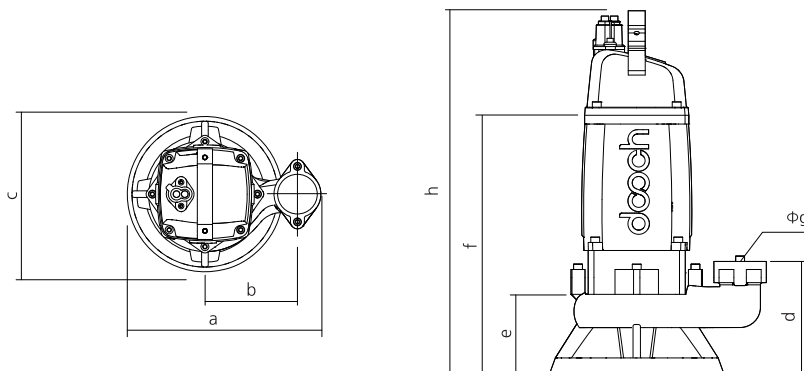
Suction casing



### Performance Curve



### Dimension



| Model       | Power (W) | Max. Head (m) | Flow rate (m³/hr) | Max. Flow rate (m³/hr) | Dimension (mm) |     |     |     |     |     |     |      |
|-------------|-----------|---------------|-------------------|------------------------|----------------|-----|-----|-----|-----|-----|-----|------|
|             |           |               |                   |                        | a              | b   | c   | d   | e   | f   | h   | g(φ) |
| NDS 504V-MA | 400       | 9.7           | 8(Hd=7m)          | 17                     | 270            | 145 | 210 | 125 | 125 | 300 | 470 | 50   |
| NDS 508V-MA | 900       | 13            | 15(Hd=9m)         | 24                     | 280            | 140 | 222 | 130 | 130 | 360 | 520 | 50   |
| NDS 515V-MA | 1500      | 20.7          | 20(Hd=10m)        | 31                     | 320            | 200 | 230 | 180 | 130 | 440 | 600 | 50   |

Notice | For unapplied level float switch, 'A' is omitted from the model name.  
 For the 3 Phase 380V power input, 'M' is omitted from the model name.  
 NDS 504V is only for 1 Phase model.





**GLOBAL BUSINESS CENTER**

2F~4F 162 LS-ro, Gunpo-si, Gyeonggi-do, Korea  
TEL: +82-31-831-1243  
FAX: +82-31-831-1250

**FACTORY**

(Sagok-Ri 295) 332 Hwagok-ro, Jangan-myeon, Hwaseong-si, Gyeonggi-do, Korea  
TEL: +82-31-831-1242  
FAX: +82-31-831-1250

**SHANGHAI DOOCH**

No. B3-6 Liantang road, Liantan industrial town, Qingpu, Shanghai, China  
TEL: +86-21-6767-9390  
FAX: +86-21-6767-9396

[www.doochpump.com](http://www.doochpump.com)